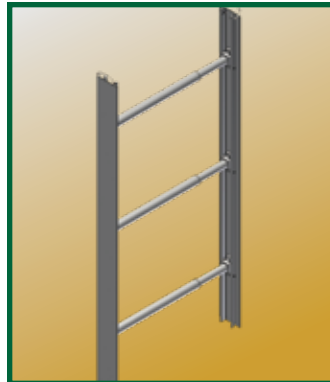


Shoring Specifications

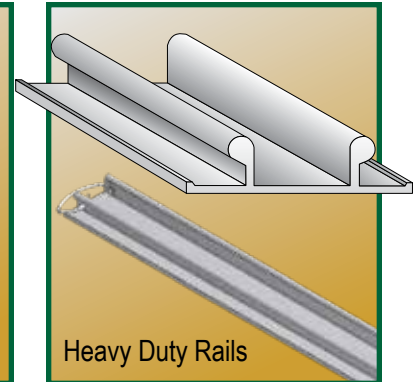
Eight sizes of HEAVY DUTY vertical shores



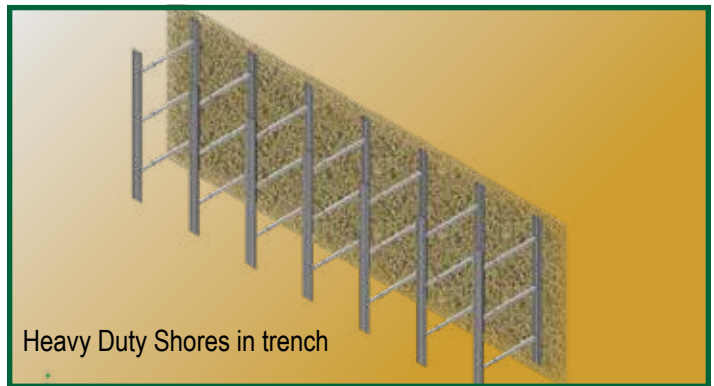
Vertical Shore Rails - Heavy Duty			
HEAVY DUTY Rail (Lg. x CB)	Cross Brace Width (In.)	Cylinders	Weight (Lbs.)
H-1.5X1727	17 - 27	1	27
H-1.5X2236	22 - 36	1	29
H-1.5X2846	28 - 46	1	33
H-1.5X3455	34 - 55	1	35
H-1.5X4269	42 - 69	1	40
H-1.5X5288	52 - 88	1	43
H-2X1727	17 - 27	1	27
H-2X2236	22 - 36	1	29
H-2X2846	28 - 46	1	33
H-2X3455	34 - 55	1	35
H-2X4269	42 - 69	1	40
H-2X5288	52 - 88	1	43
H-3.5X1727	17 - 27	2	27
H-3.5X2236	22 - 36	2	29
H-3.5X2846	28 - 46	2	61
H-3.5X3455	34 - 55	2	66
H-3.5X4269	42 - 69	2	74
H-3.5X5288	52 - 88	2	82
H-5X1727	17 - 27	2	61
H-5X2236	22 - 36	2	65
H-5X2846	28 - 46	2	72
H-5X3455	34 - 55	2	77
H-5X4269	42 - 69	2	85
H-5X5288	52 - 88	2	93
H-7X1727	17 - 27	2	78
H-7X2236	22 - 36	2	82
H-7X2846	28 - 46	2	89
H-7X3455	34 - 55	2	94
H-7X4269	42 - 69	2	102
H-7X5288	52 - 88	2	110
H-9X1727	17 - 27	3	104
H-9X2236	22 - 36	3	110
H-9X2846	28 - 46	3	120
H-9X3455	34 - 55	3	128
H-9X4269	42 - 69	3	140
H-9X5288	52 - 88	3	152
H-12X1727	17 - 27	3	128
H-12X2236	22 - 36	3	134
H-12X2846	28 - 46	3	145
H-12X3455	34 - 55	3	152
H-12X4269	42 - 69	3	164
H-12X5288	52 - 88	3	176
H-16X1727	17 - 27	4	170
H-16X2236	22 - 36	4	177
H-16X2846	28 - 46	4	191
H-16X3455	34 - 55	4	202
H-16X4269	42 - 69	4	218
H-16X5288	52 - 88	4	234



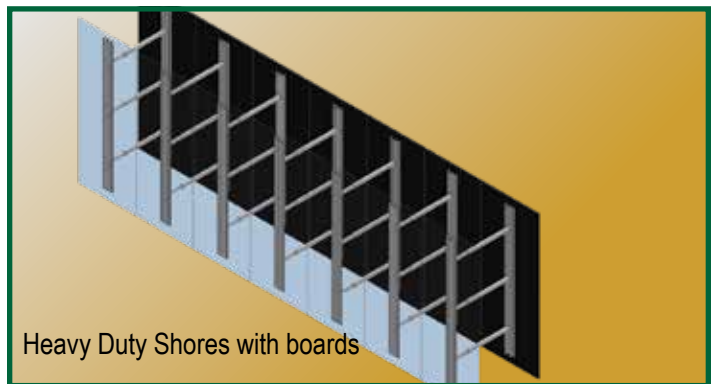
Heavy Duty Vertical Shore with three cylinders



Heavy Duty Rails



Heavy Duty Shores in trench



Heavy Duty Shores with boards